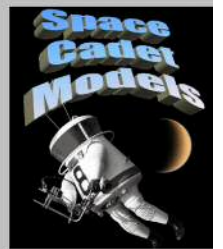


Magellan Motor Upgrade

1/24th Scale

To be added to the
RealSpace Models Magellan Kit

SCM09



Magellan Solid Motor Upgrade Kit

By Space Cadet Models

1/24th Scale

Intended to be used with the
RealSpace Models Magellan Kit

Thank you for your purchase of our ninth kit. This is intended to be an add on to the RealSpace Models, Magellan kit. It includes two options for you to use. One version is the PAM motor by itself, for someone who wanted to make a diorama of Magellan during assembly. The other version is to show the spacecraft in it launch and cruise phases. The kit could also provide the same features for your scratch built model, if you are so inclined.

All parts should be covered in gold foil and foil that is painted white. You could, as an alternate, just paint the areas, that are shown, covered in white foil.

Suggestion: If you chose to use foil to cover the parts. It would be easiest to do the foiling before the parts are assembled. Foiling after final assembly would be harder for Option# 1. The gold lines on Option# 2 are 1/16th inch wide. You could cut foil and glue in place or possibly cut gold pin striping tape or Bare Metal Foil to 1/16th and apply.

Painting and Foiling Instructions



Gold Foil



Gold Paint



Silver Paint



White Foil



White Paint

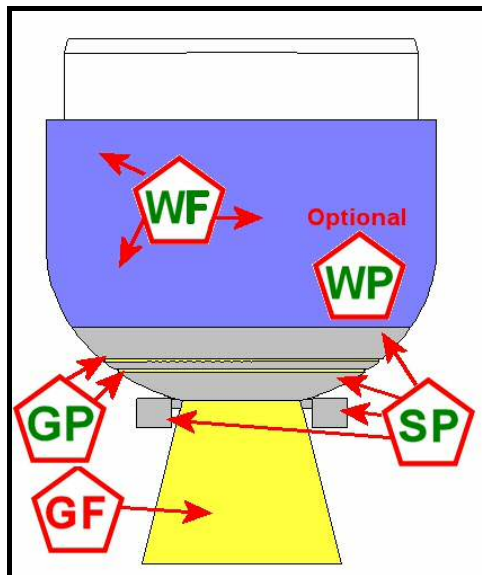


Figure 1 - Option 1

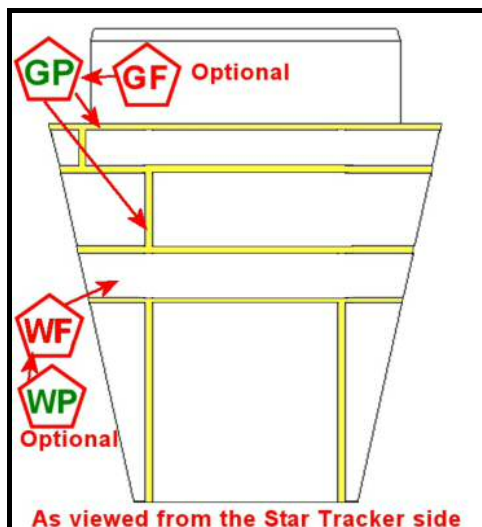


Figure 2 - Option 2

Option 1

Use foil painted white and gold foil as shown in Figure# 1. Silver paint as shown in Figure# 1 as well. As an option, you can paint the white sections.

Option 2

Use foil painted white to cover the entire Part# 1. Optionally, you can paint the part

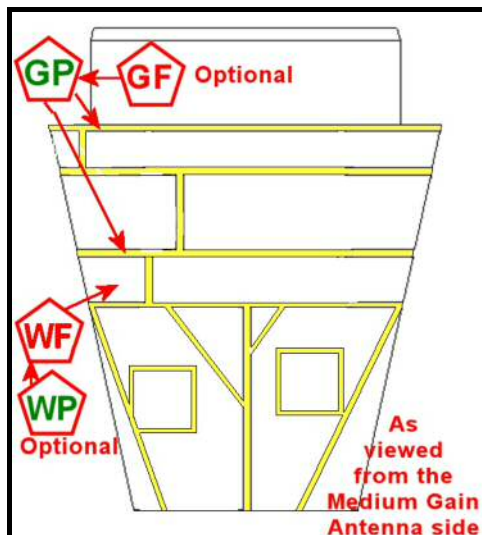


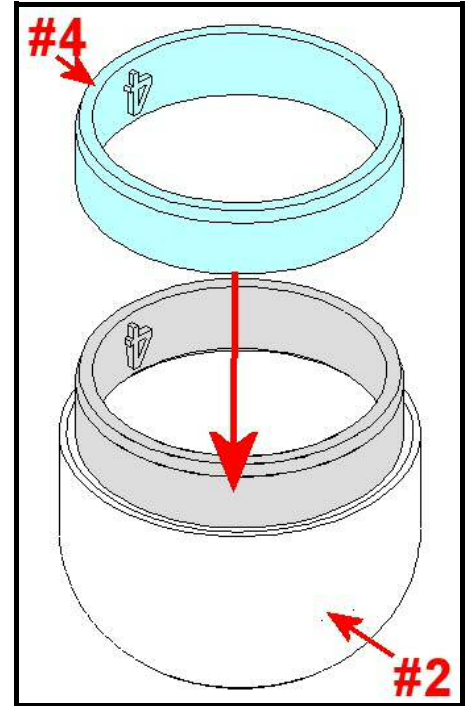
Figure 3 - Option 2

instead of foiling, as shown in Figures# 2 & 3. Paint horizontal and vertical lines, with gold paint, as shown. Figure# 2 shows the side that has the star tracker facing you. Figure# 3 shows the side that has the Medium Gain Antenna cone, facing you.

Assembly of Option 1 Version

Step# 1

Find Part# 2 and Part# 4 and glue them together as shown in Figure# 4. **Suggestion:** Foil or Paint Part# 2 before final assembly.



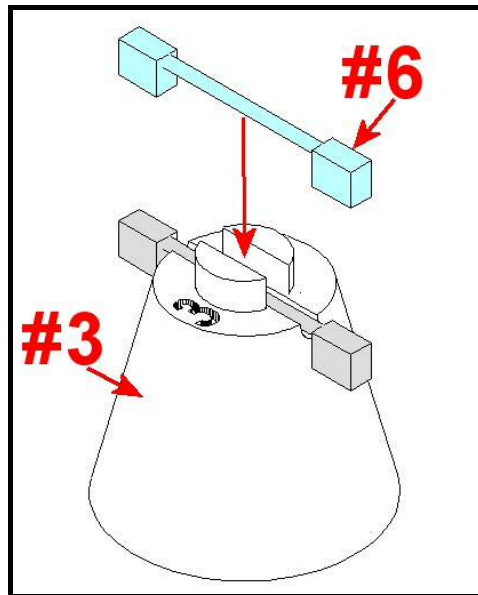
Figure# 4

Step# 2

Find Part# 3 and Part# 6 and glue together as shown in Figure# 5.

Suggestion: Cover Part# 3 in Gold foil and paint Part# 6 silver, before

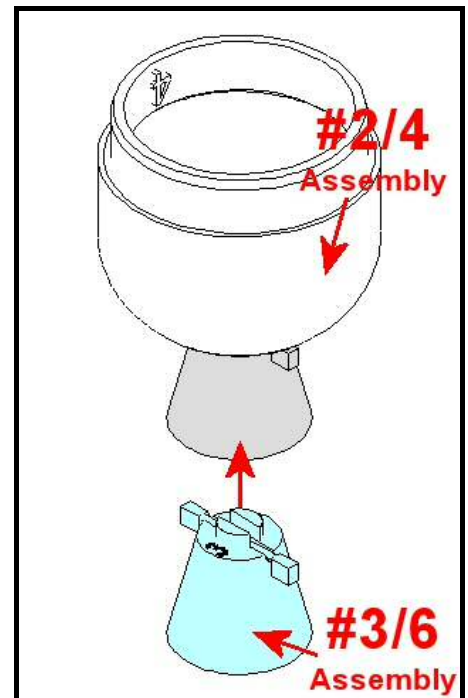
assembling this step. This will make it easier during final assembly.



Figure# 5

Step# 3

Take the assembly from Step# 1 and Step# 2 and glue them together as shown in Figure# 6. This ends the assembly.

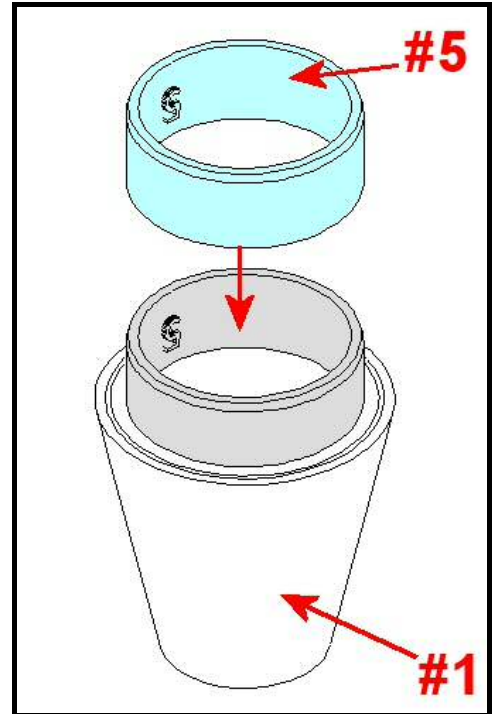


Figure# 6

Assembly of Option 2 Version

Step# 1

Find Part# 1 and Part# 5 and glue them together as shown in Figure# 7. This is the final assembly. Cover in white foil or paint Part# 1 as shown in the Painting and Foiling Instructions, shown in Figure# 1.



Figure# 7