

Explorer 11

1/12th Scale

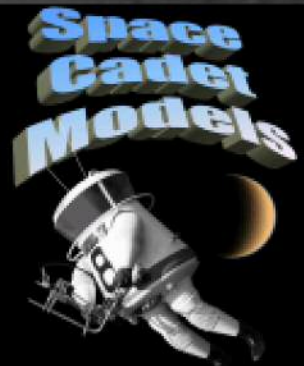
Kit



The Early Pioneers

Skill Level 3 for Average Modelers
Contains small parts. Keep away from children

SCM13



Explorer 11

Assembly Instructions

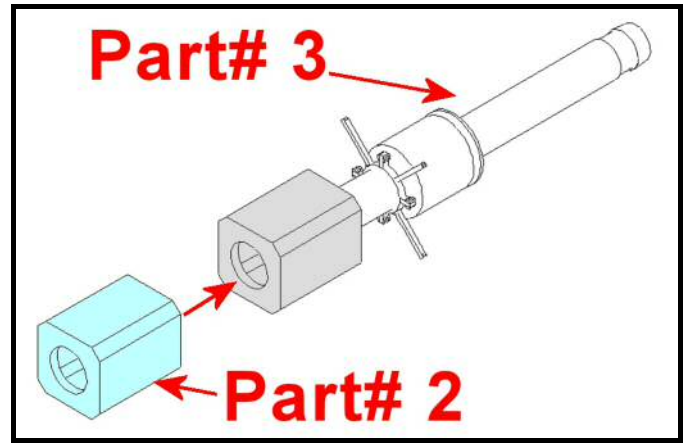
By

Space Cadet Models

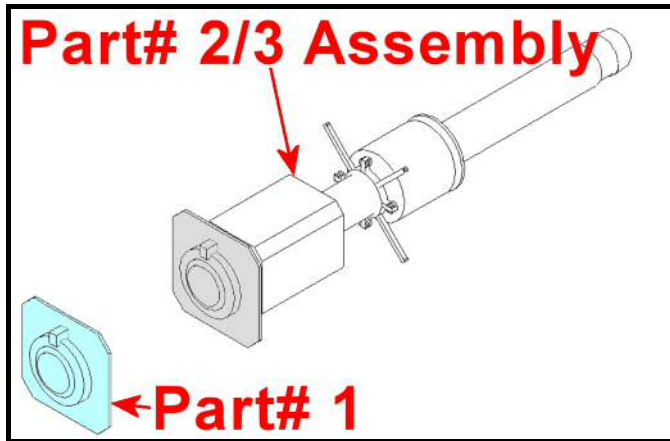
Thank you for your purchase of our 13th kit. We hope you enjoy our recreation of a historical spacecraft. Explorer 11 was the first Gamma Ray detection satellite launched by the United States. It used the same fourth stage booster as the Explorer 1 satellite, and took advantage of a physical property discovered during the Explorer 1 mission. The property was that an object, rotating around its thinnest axis will slow and transfer the energy to its longest axis. So Explorer 11 started with a spin to stabilize it during the firing of the fourth stage. After that it would start tumbling end over end. This allowed the Gamma Ray experiment to scan the entire sky.

Step# 1

Find parts numbered 2 and 3.
Glue Part# 2 to Part# 3 as shown
in Figure# 1.



Figure# 1



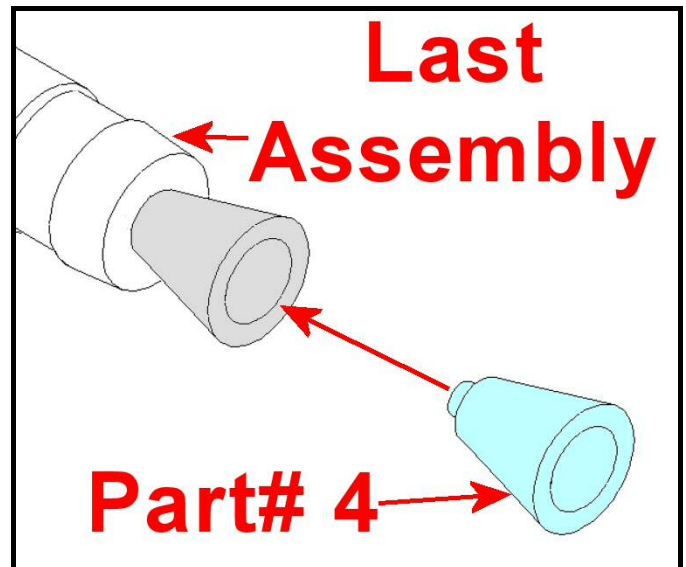
Figure@ 2

Step# 2

Find Part# 1 and glue it to the
assembly from Step# 1, as shown
in Figure# 2.

Step# 3

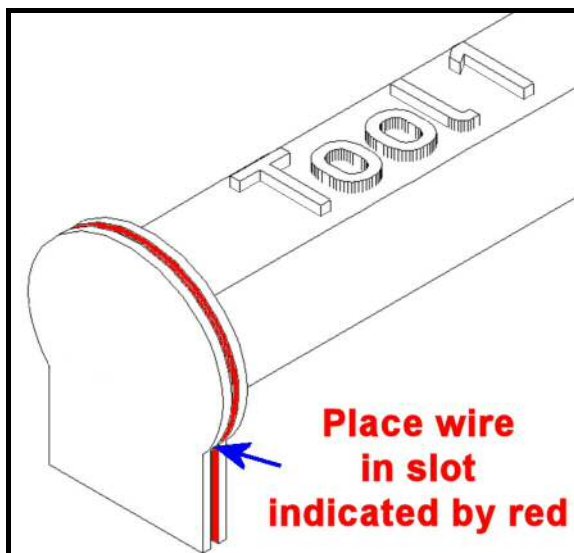
Find Part# 4 and glue it to the end
of the assembly from the previous
Step# 2, as shown in Figure# 3.



Figure# 3

Step# 4

Find Tool# 1 and the wire that is
included with the kit. Bend the wire
around the tool, into the slot indicated



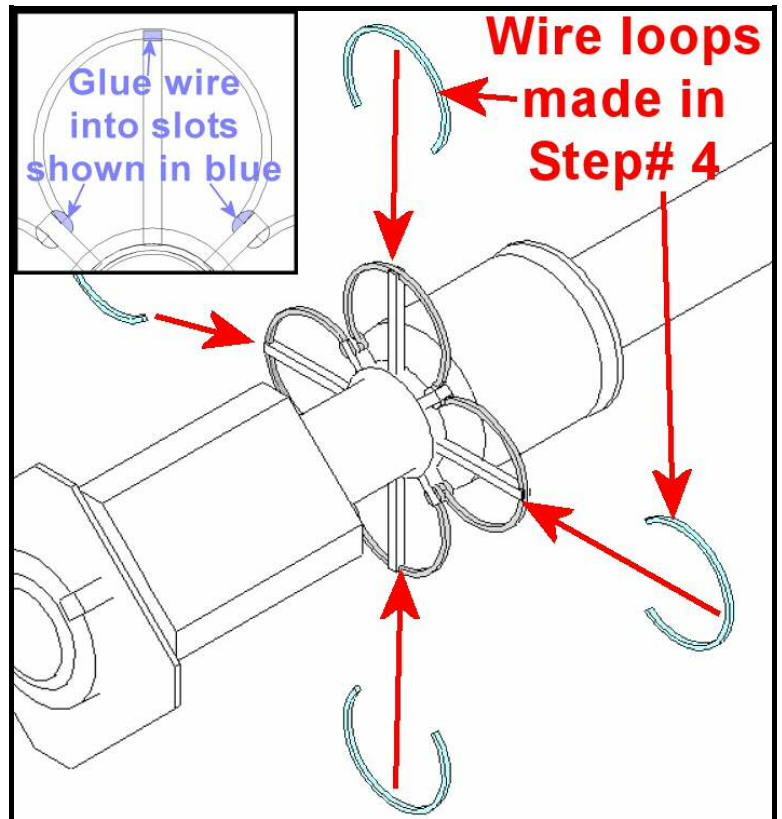
Figure# 4

in red in Figure# 4. Cut the wire at the bends, at the points indicated by the blue arrow, as shown in Figure# 4. Do this four times to form the four wire antenna rings that the model needs.

Step# 5

Glue the wire rings made in step# 4, as shown in Figure# 5. Make sure that the wire is in the grooves as shown in the insert in Figure# 5. Place glue in the areas shown in blue, in the insert.

This completes the assembly of the model. Please note the decal locators and painting instructions.



Figure# 5

Painting and Decal Instructions



Black Paint

Dark Brown Paint

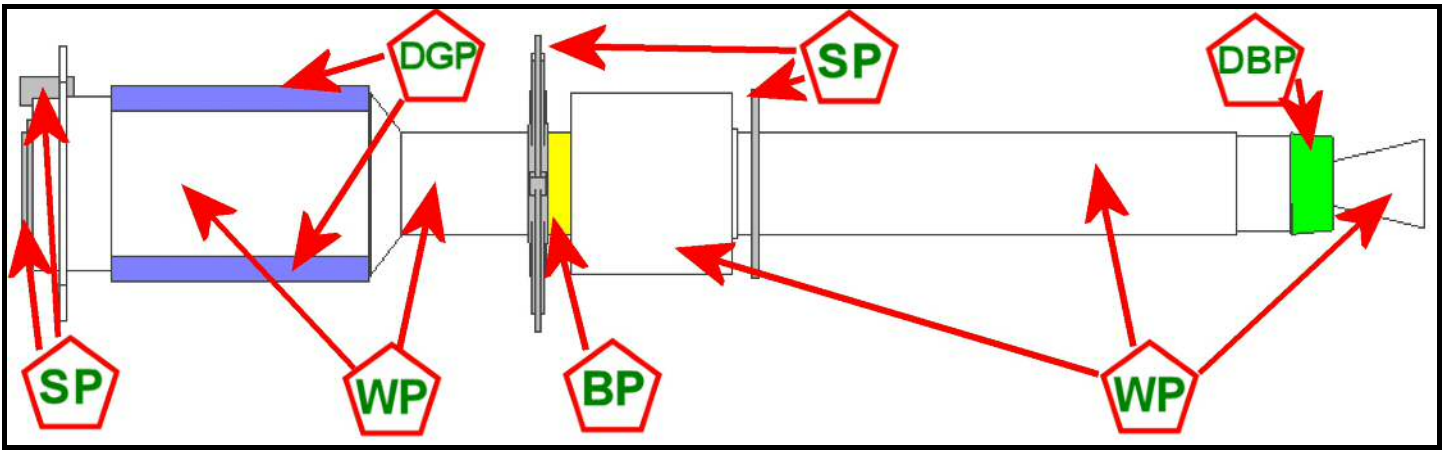


Dark Gray Paint

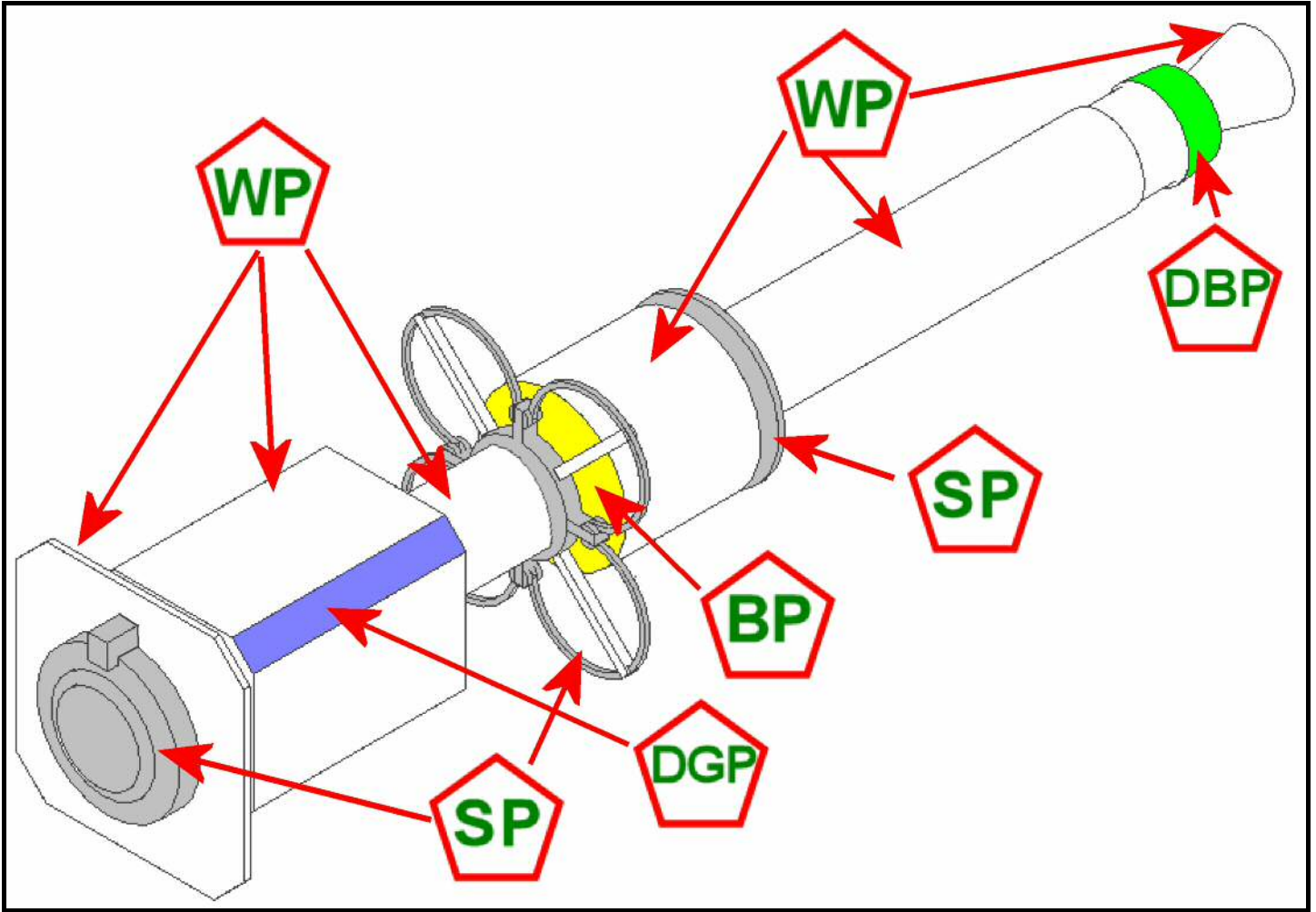
Silver Paint



White Paint

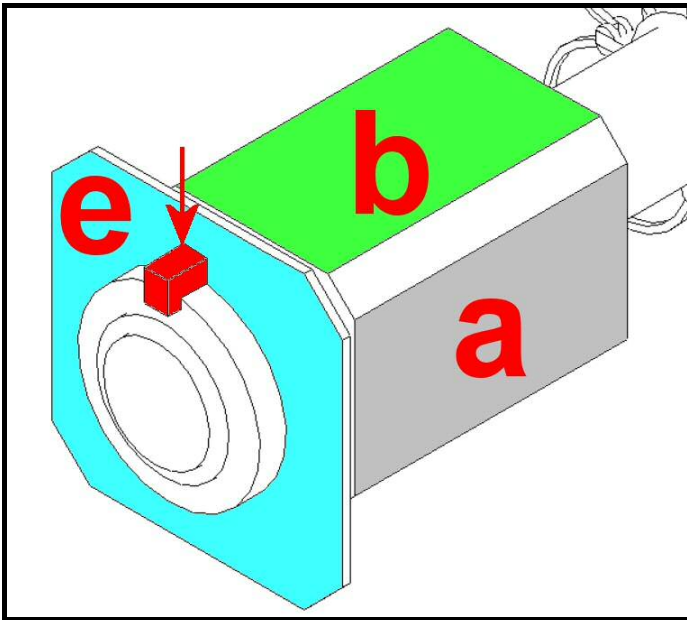


Figure# 6

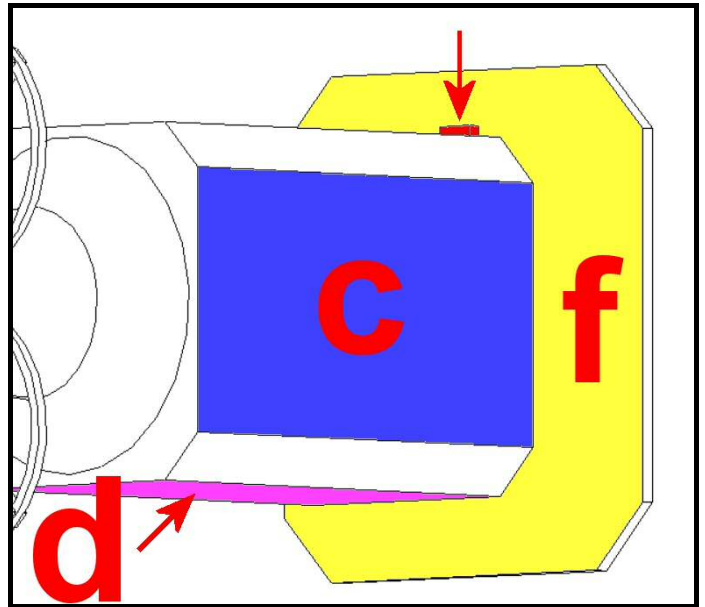


Figure# 7

Decal Placement

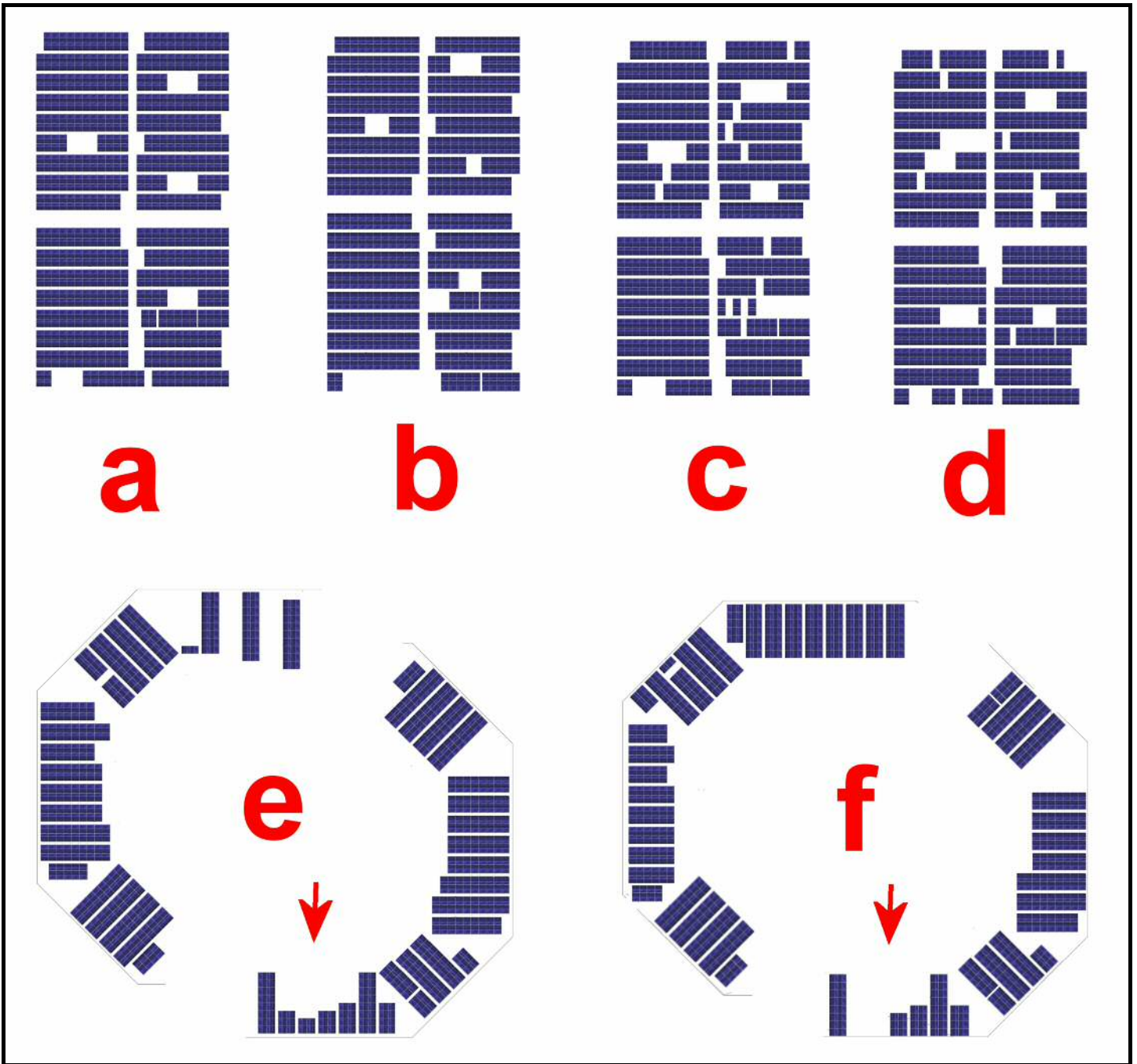


Figure# 8



Figure# 9

Find each decal, denoted on the sheet by a letter (shown in Figure# 10). Place each decal in the position as shown in Figure#s 8 and 9. Please note that decal “b” is located on the face that is indicated by the red block and arrow in Figure# 8. Decal “e” has been split into two parts. You will need to trim it to have a very little amount of white surrounding area. Please note that the “e” decal has a red arrow, on the decal sheet, that is pointing to a notch that must align with the red box and arrow in Figure# 8. When you get to decal “f”, please note it is also split into two parts. Please trim as before, and the red arrow, on the decal sheet, points to a notch that must align with the red box and arrow, as shown in Figure# 9.



Figure# 10

This concludes the assembly of the Explorer 11 kit. Thank You again for your patronage and we hope you have enjoyed our kit.